

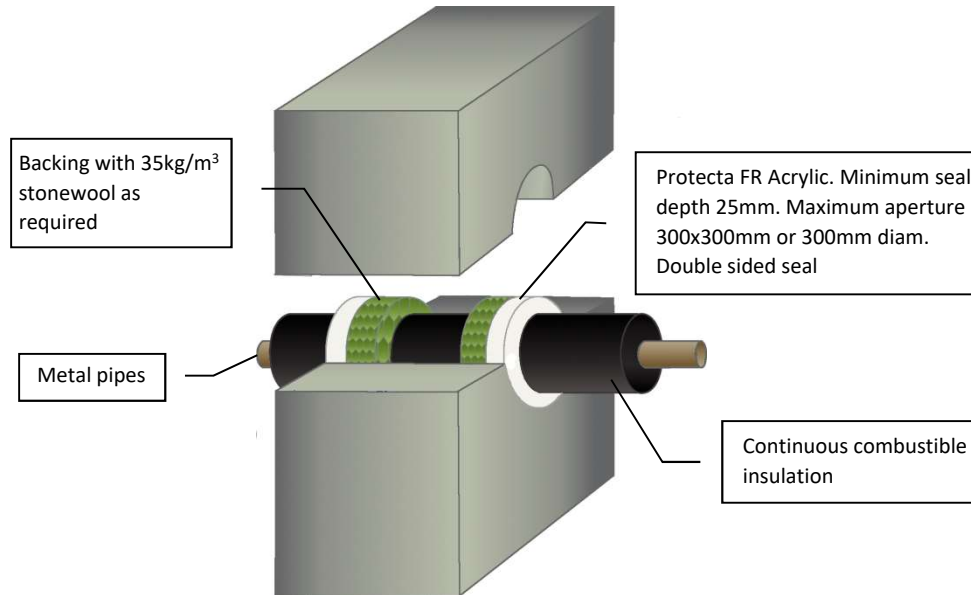
Protecta FR Acrylic - Concrete Wall 100mm Metal Pipe - Steel, Copper, Alupex Insulation - Combustible (Elastomeric) or Non- combustible

System/FPA Register ID# FC324

Products	Protecta FR Acrylic Mineral Wool
Application	Fire stopping of insulated metal pipes in rigid walls
Construction	Minimum wall thickness of 100mm and comprise concrete, aerated concrete or masonry, with a density of $\geq 650 \text{ kg/m}^3$

Installation Instructions

1. Before installing Protecta® FR Acrylic ensure that the surface of all service penetrations and surrounding construction is free from all loose contaminants, dust and grease.
2. Where Protecta® FR Acrylic is to be installed against surfaces that cannot tolerate direct contact; appropriate surface preparation should be made (contact Polyseam for guidance in these cases). For paints sensitive to sealing compounds, priming with a PVA primer is recommended.
3. When installing any backing material, cut this slightly oversize and insert into the gap ensuring a tight friction fit. Ensure correct depth is achieved.
4. Fill the gap or joint with Protecta® FR Acrylic to the required depth.
5. Apply the sealant generously to prevent air bubbles. Finish the bead with a moist spatula, pallet knife or brush.
6. Protecta® FR Acrylic can be over-painted with most emulsion or alkyd (gloss) paints.



Fire & Sound classification

Steel pipes up to 40mm diam with 13-19mm thick insulation, no backing FRR -/120/120

Steel pipes up to 165mm diam with 13-25mm thick insulation, no backing FRR -/60/60

Steel pipes up to 273mm diam with 26-100mm thick **phenolic** insulation, no backing FRR -/60/60

Steel pipes up to 165mm diam with 13-19mm thick insulation and 25mm stone wool backing FRR -/120/60

Copper or steel pipes up to 54mm diam with 9-13mm thick insulation FRR -/120/60

Copper or steel pipes up to 54mm diam with 13-25mm thick insulation FRR -/60/60

Alupex pipes up to 75mm diam with 25mm thick insulation FRR -/90/90

Alupex pipes up to 75mm diam with 9-25mm thick insulation FRR -/60/60

ZERO Smoke leakage up to 200Pa

Sound reduction (seal only) STC 62

Sheet size: **A4**
Drawn date & no: 24/5/21

NOTE: Results for combustible insulation may be applied to equivalent non-combustible insulation (Warringtonfire FAS190390 Pg 6)

As a part of our policy of on-going product development and testing, we reserve the right to modify, alter or change product specifications without giving notice. All information contained in this document is given in good faith and is provided for guidance only. Any drawings provided are for illustrative purposes only. As Polyseam has no control over the methods or competence of installation and of prevailing site conditions, no warranties, expressed or implied, is intended to be given as to the actual performance of the product mentioned or referred to herein and no liability whatsoever will be accepted for any loss, damage or injury arising from the use of the information given.